



### AML31FBA4AC



**AML31 Series, Solid State Pushbutton, Rectangular, Standard Bezel, Lighted, 1 Incandescent Lamp, DPST NO Form X, Momentary Action, Snap in panel mount**

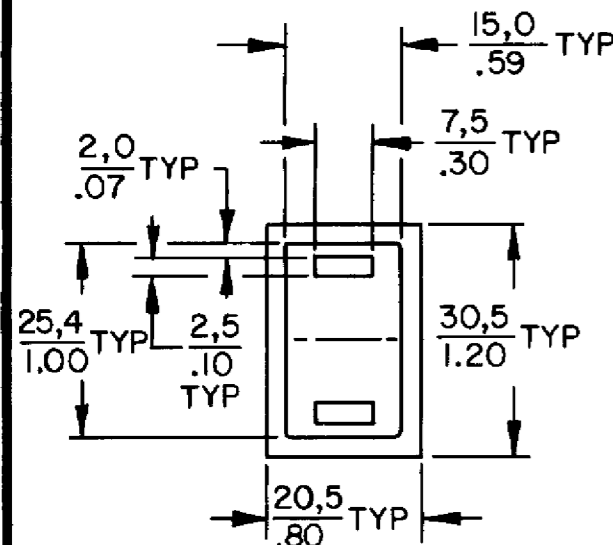
#### Features

- Snap-in Surface mount
- UL recognized, CSA certified
- Lamp circuit independent of switch circuit
- Metric design for world wide acceptance
- Buttons can be custom legend

Product Specifications	
Product Type	MICRO SWITCH™ Pushbutton
Housing Type	Rectangular
Circuitry	DPST NO Form X
Action	Momentary Action
Mounting	Snap-in Panel
Lamp Type	Lighted, 1 Incandescent Lamp
Termination	.187 x .020 (Solder or Quick-Connect)
Ampere/Voltage Range (Resistive Load)	0.4-10 A @ 0.5-250 Vac, 0.4-10 A @ 0.5-30 Vdc
LED/Lamp/Neon Voltage	No Lamp Installed
Comment	use AML51 button
Availability	Global
UNSPSC Code	30211913
UNSPSC Commodity	30211913 Push button switches
Series Name	AML31

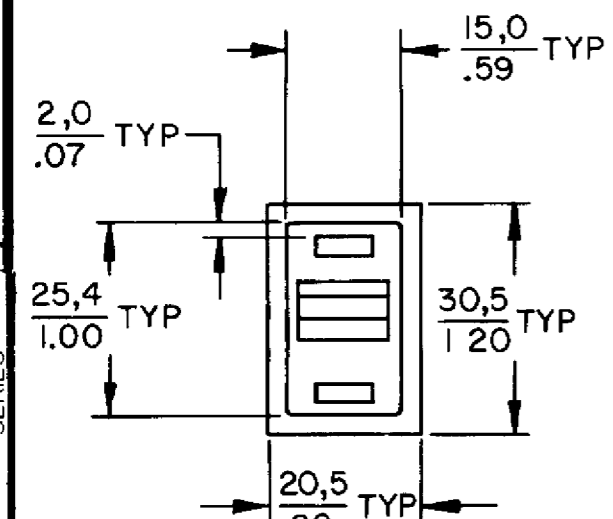
# SOLID STATE SWITCH AML 10 SERIES AND ELECTRONIC CONTROL AML 20 SERIES

## ACTUATORS FOR AML 10 SERIES & AML 20 SERIES



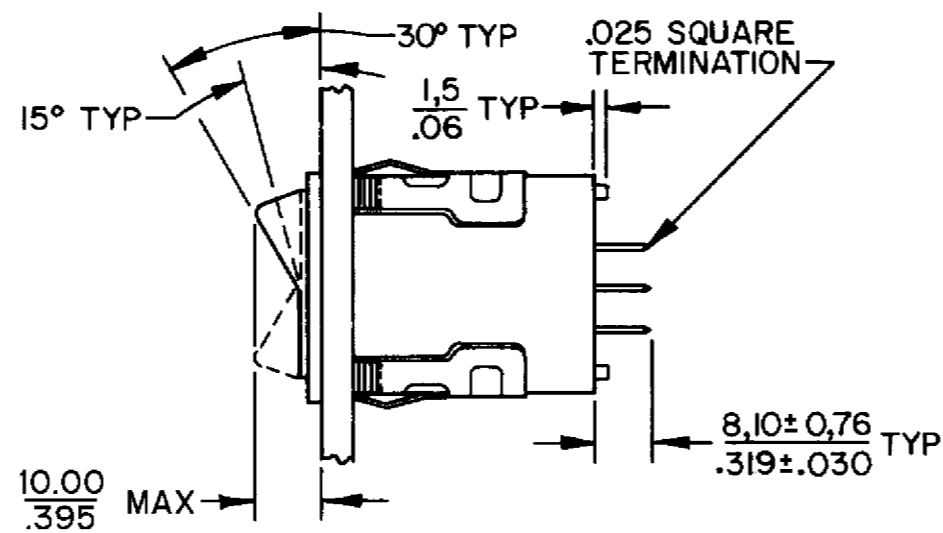
LED

NON ILLUMINATED AND INCANDESCENT

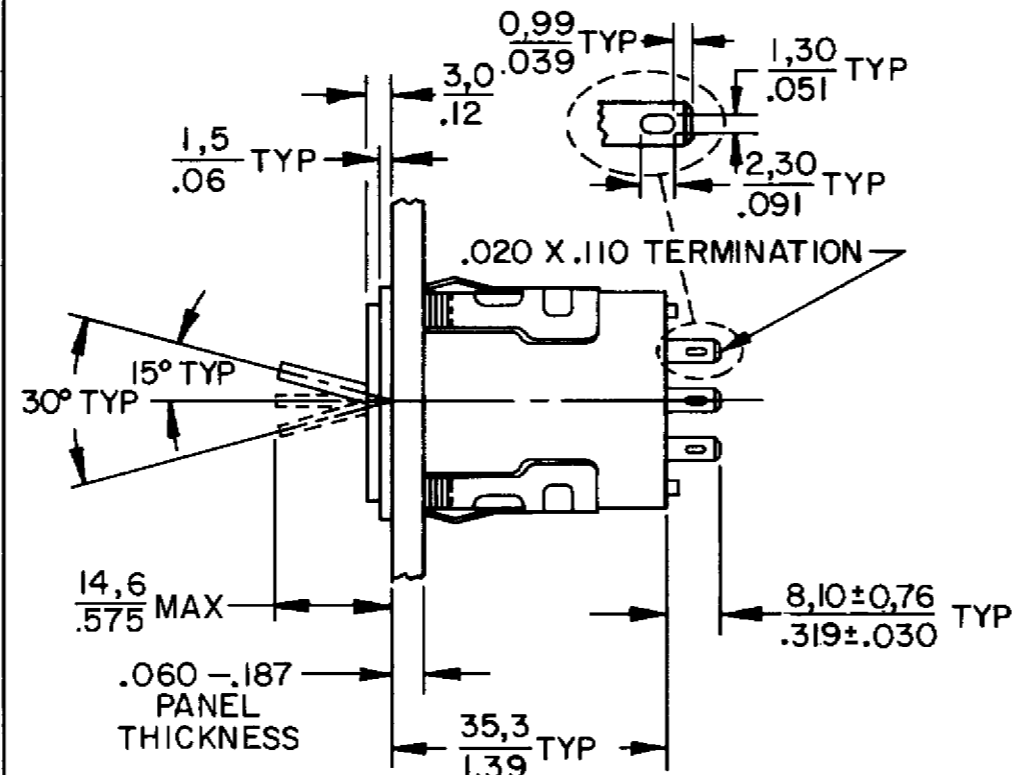


LED

NON ILLUMINATED AND INCANDESCENT

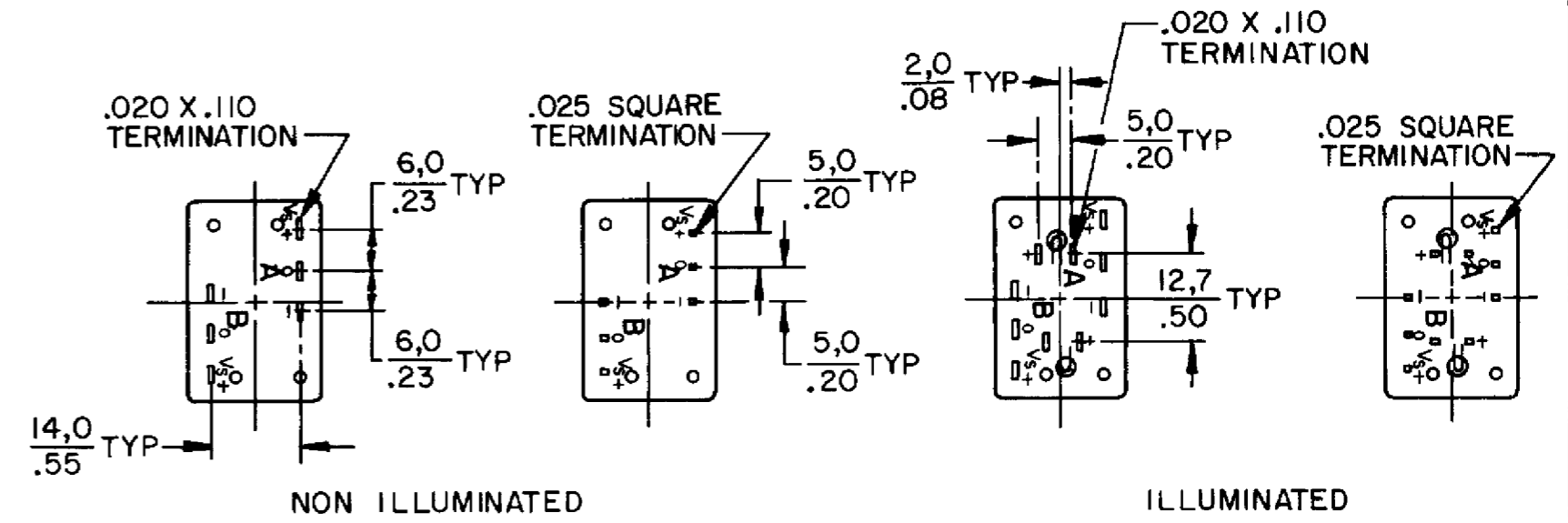


ROCKER



PADDLE

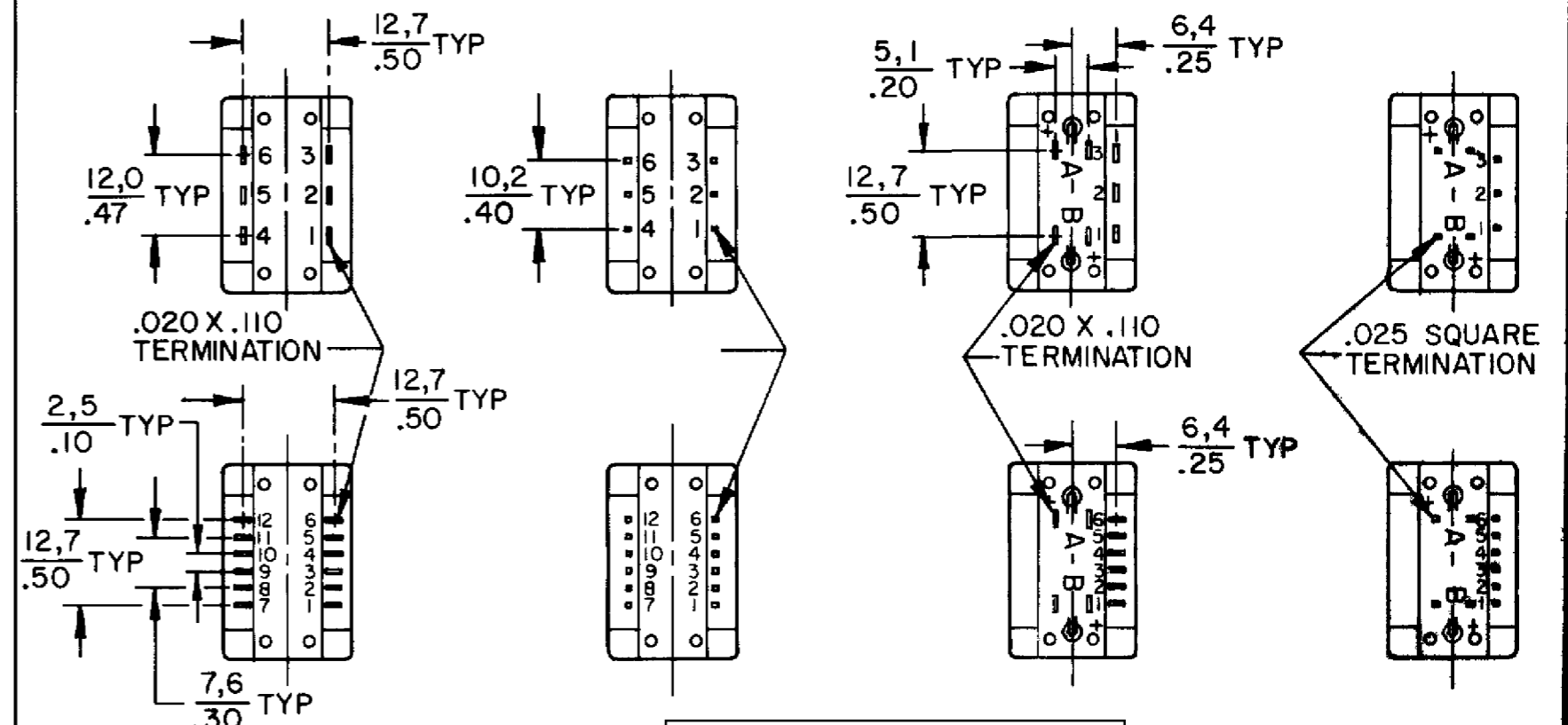
## TERMINATION AML 10 SERIES



NON ILLUMINATED

ILLUMINATED

## TERMINATION AML 20 SERIES



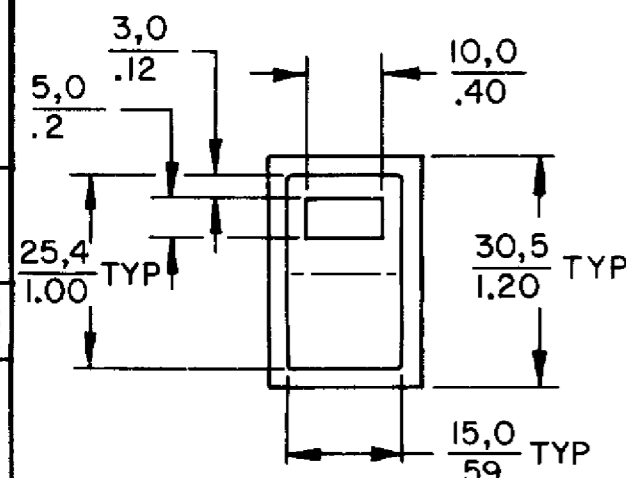
NON ILLUMINATED

AML24GBE2CA03-001 FAA-PMA

ILLUMINATED

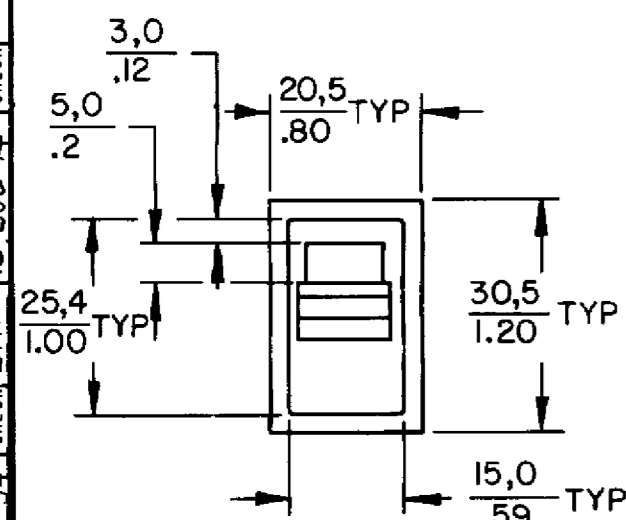
## POWER SWITCH AML 30 SERIES

### ACTUATORS FOR AML 30 SERIES



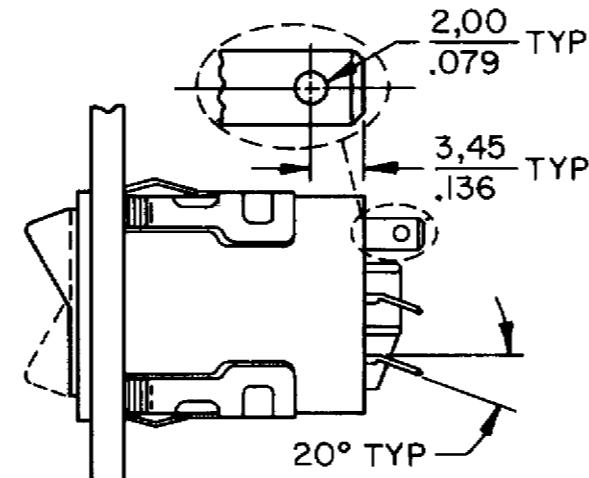
NEON

NON ILLUMINATED AND INCANDESCENT

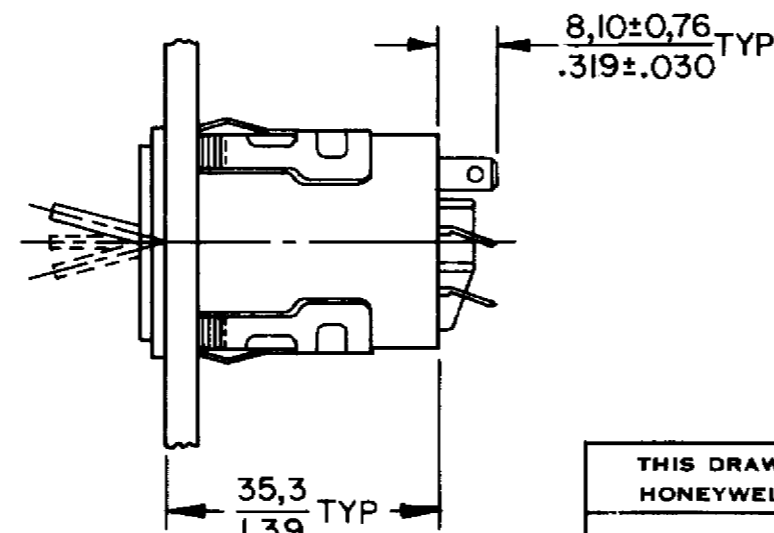


NEON

NON ILLUMINATED AND INCANDESCENT



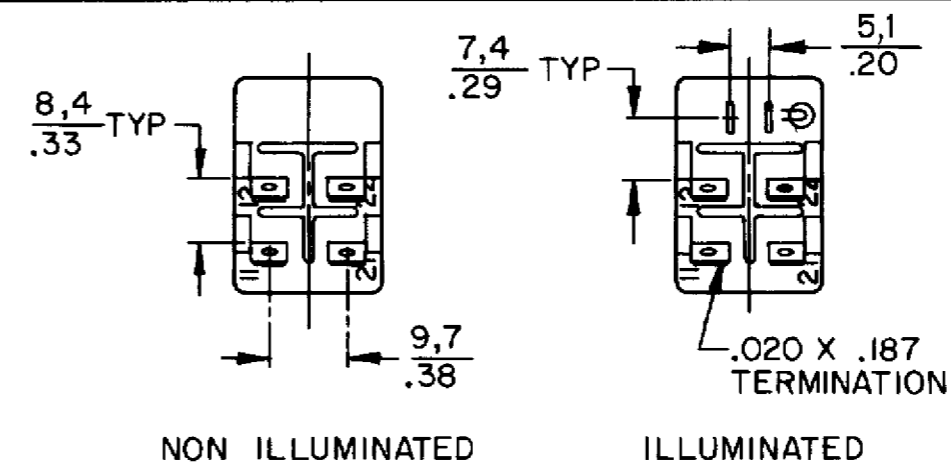
ROCKER



PADDLE

MASTER REDUCED

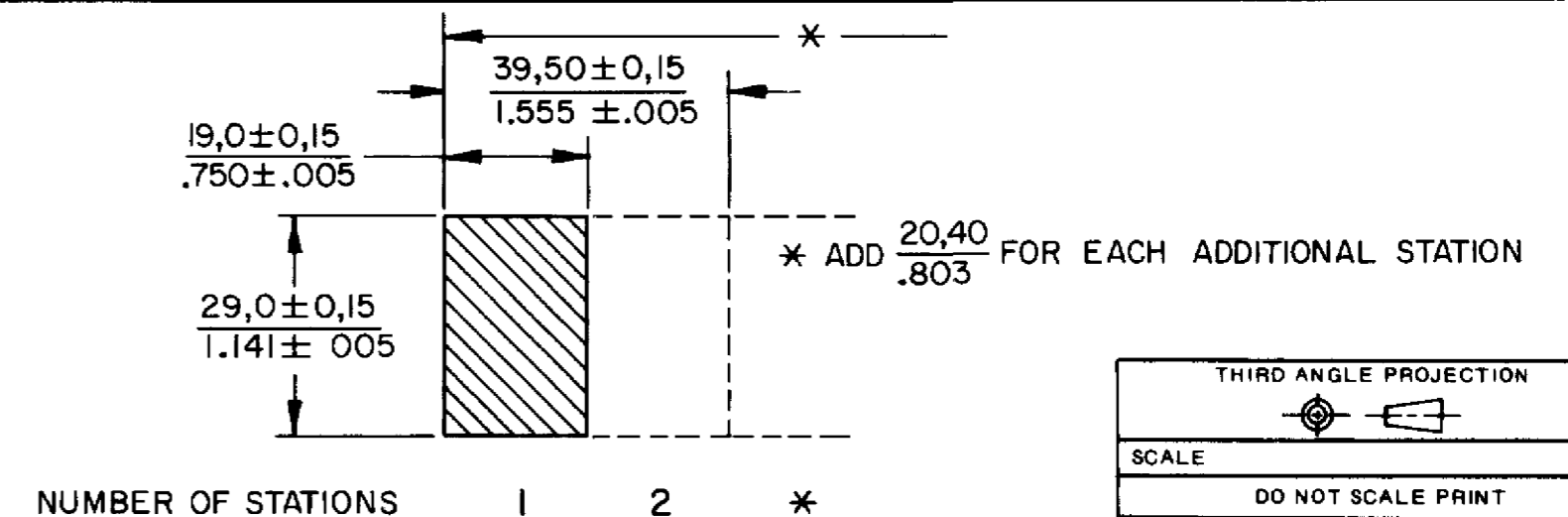
### TERMINATION AML 30 SERIES



NON ILLUMINATED

ILLUMINATED

### PANEL CUTOUTS FOR AML 10, 20 & 30 SERIES



THIRD ANGLE PROJECTION

SCALE

DO NOT SCALE PRINT

UNLESS OTHERWISE SPECIFIED TOLERANCES ARE

ONE PLACE (.0) ± .030

TWO PLACE (.00) ± .015

THREE PLACE (.000) ± .005

ANGLES ±

WEIGHT

THIS DRAWING COVERS A PROPRIETARY ITEM AND IS THE PROPERTY OF MICRO SWITCH A DIVISION OF HONEYWELL THIS DRAWING IS NOT TO BE COPIED OR USED WITHOUT THE APPROVAL OF MICRO SWITCH

**MICRO SWITCH**  
a Honeywell Division

AML PADDLE AND  
ROCKER

AML10 20 30  
SERIES CHART 1

FED MFG CODE 91929

CATALOG LISTING  
PAGE 1 OF 1  
ISSUE 13  
REVISIONS  
A 207432  
14 FEB 03  
B 0000447  
C 1  
2 JUN 03  
DRAWN  
SAD 10 JUN 94  
CHECK JAF 12 JUL 94  
CHECK  
RELEASE NO CO-78498  
REPLACES  
AML 10, 20 & 30 SERIES